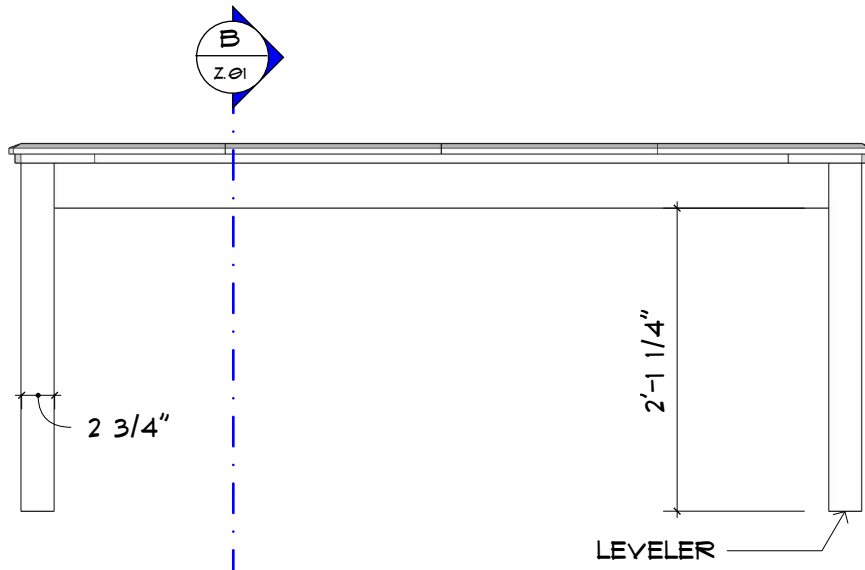
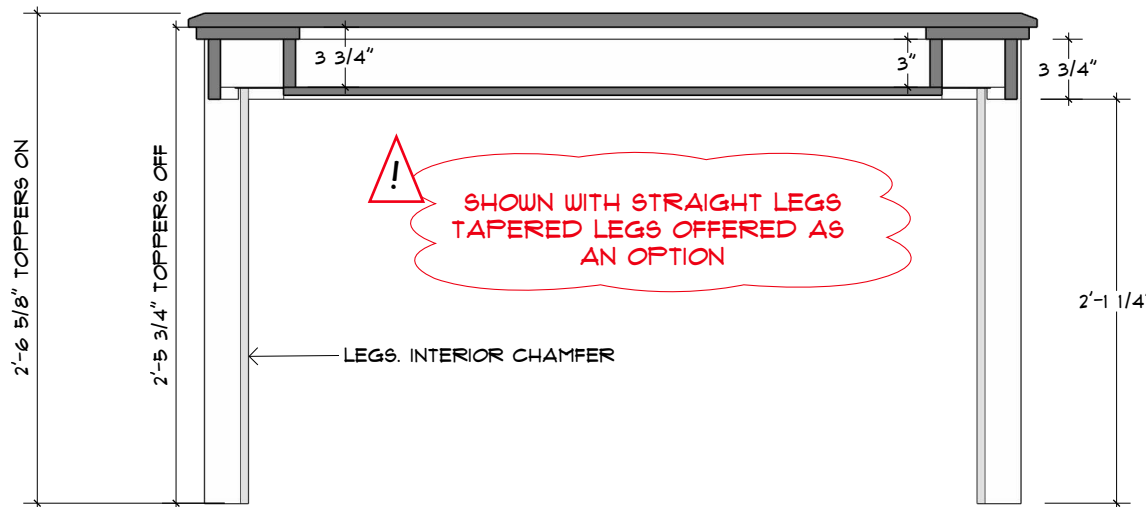


WARBLER GAME TABLES
PAGE 2: 12X53 TOP VIEW
PAGE 3: 54X53 TOP VIEW



A ELEVATION, 12X53 WARBLER
SCALE: 3/4" : 1'

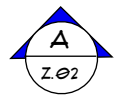
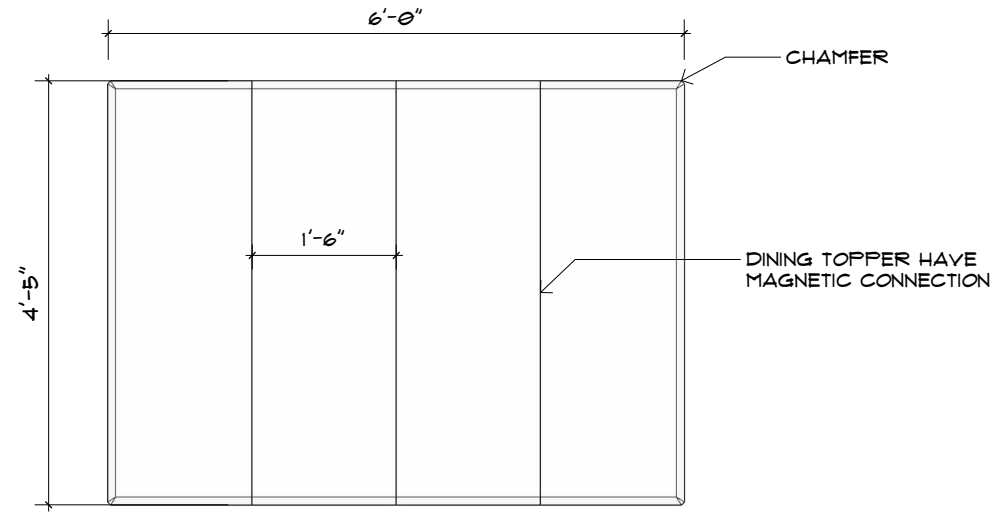
! THE WARBLER TABLE CONCEPT HAS ACCESSORIES RECESSED INTO THE ARMRESTS THAT ARE REMOVABLE FOR CLEANING ONLY. IT DOES NOT HAVE MAGNETIC ACCESSORIES.



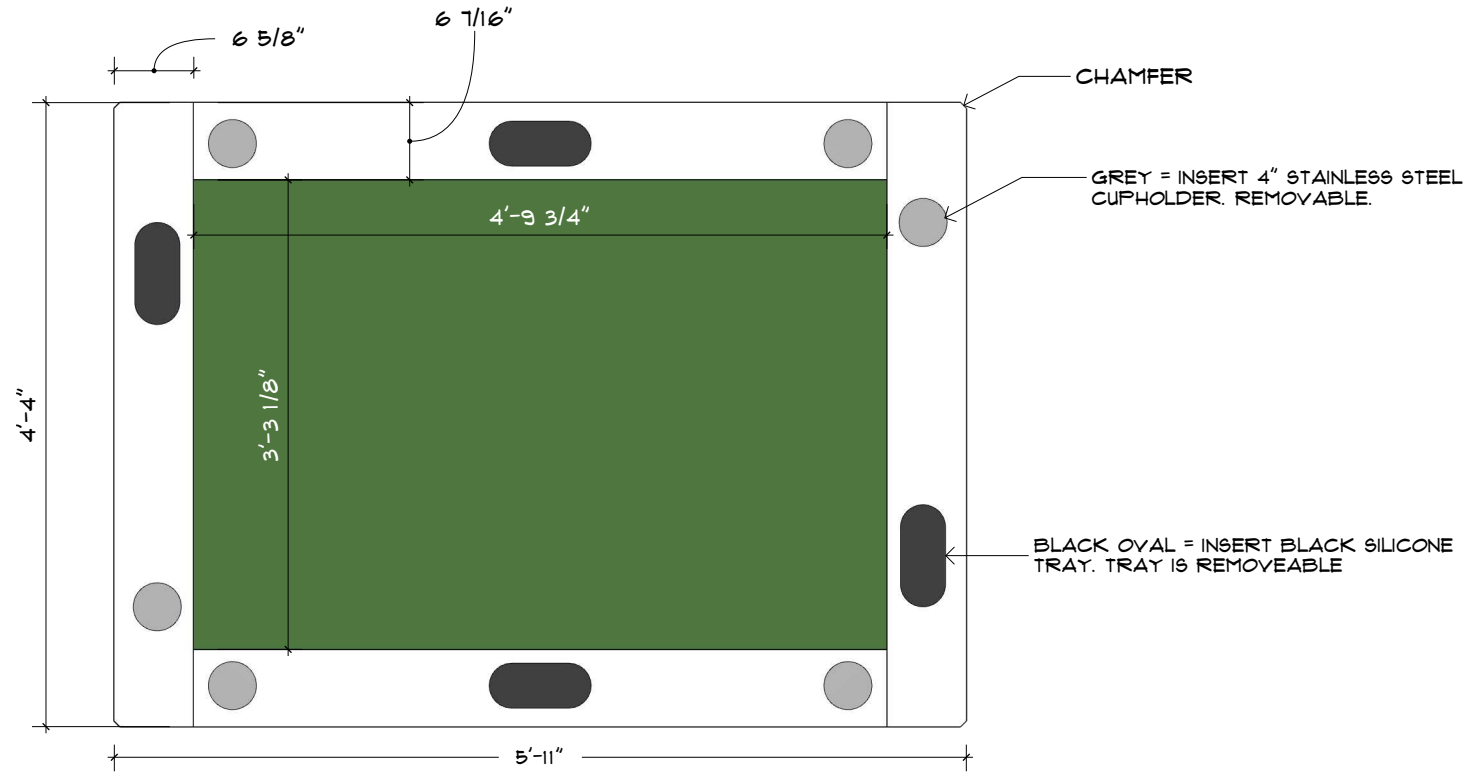
B SECTION, 12X53 WARBLER
SCALE: 1-1/2" : 1'



**12X53 WARBLER
GAME TABLE**



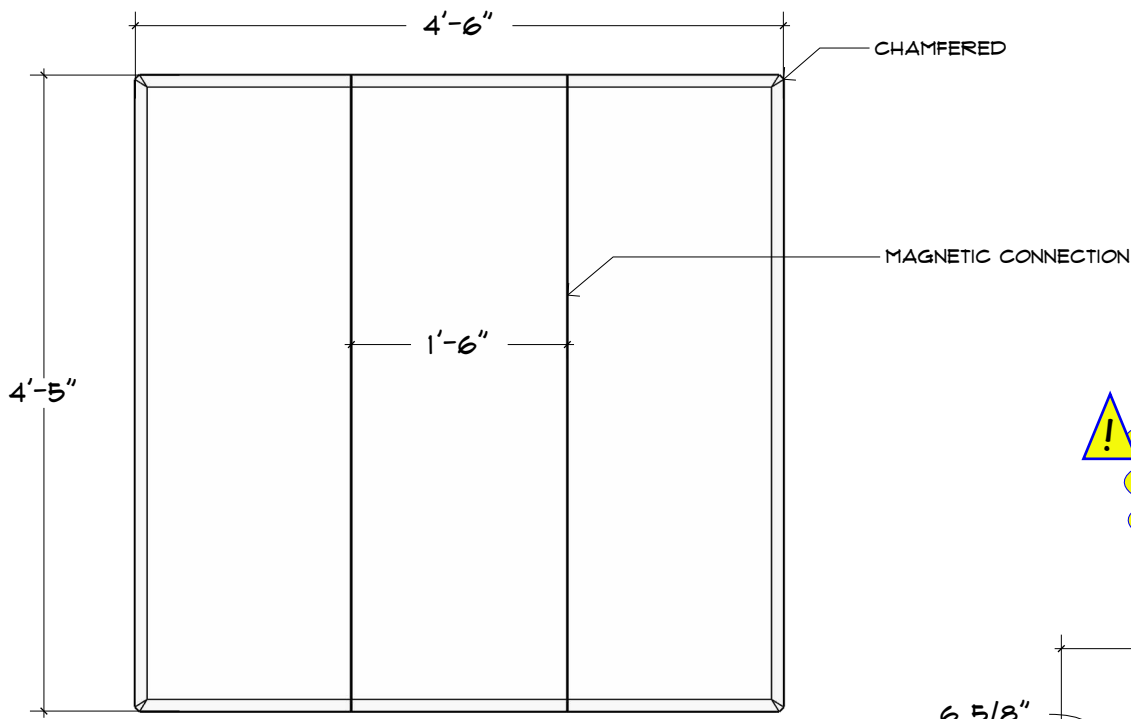
A TOPPERS ON, 12X53 WARBLER
SCALE: 1/2" : 1'



! THE WARBLER TABLE CONCEPT HAS ACCESSORIES RECESSED INTO THE ARMRESTS THAT ARE REMOVABLE FOR CLEANING ONLY. IT DOES NOT HAVE MAGNETIC ACCESSORIES.

B TOPPERS OFF, 12X53 WARBLER
SCALE: 3/4" : 1'

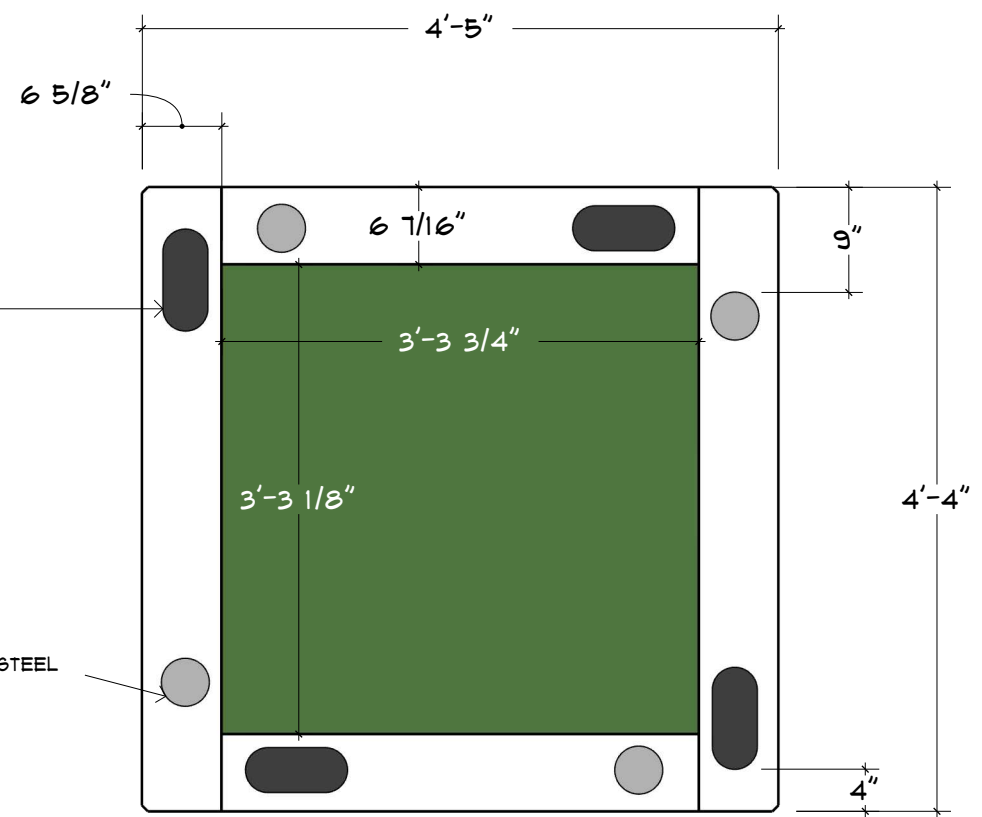
**54X53 WARBLER
GAME TABLE**



! VAULT AND TABLE HEIGHTS
SAME AS 12X53 WARBLER

A TOPPERS ON, 54X53 WARBLER
SCALE: 3/4" : 1'

BLACK OVAL = INSERT BLACK SILICONE TRAY. TRAY IS REMOVEABLE



! THE WARBLER TABLE CONCEPT HAS ACCESSORIES RECESSED INTO THE ARMRESTS THAT ARE REMOVEABLE FOR CLEANING ONLY. IT DOES NOT HAVE MAGNETIC ACCESSORIES.

B TOPPERS OFF, 54X53 WARBLER
SCALE: 3/4" : 1'